

# Easylink connection kits and accessories

## Product overview

The easylink connection system is a simple, fast and reliable set of connection kits developed for heating cables. There is no wire stripping needed because the insulation displacement connector makes the electrical connection.

The easy-to-install Easylink connection system reduces installation time, lowering the total installed cost of the heating cable system.

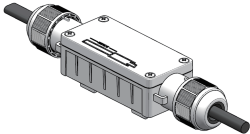
## Easy installation

- No special tools required
- Three step installation

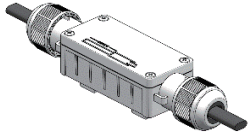
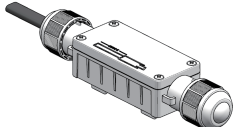
## Reliable

- Intuitive installation
- Rugged, anti-aging shell,
- Waterproof, UV-resistant , temperature resistant.

## Connector with power cable

Model	Photo	Description
Easylink-P		The easylink-P can supply power to one heating cable

## Unpowered connection kit

Model	Photo	Description
Easylink-S		Easylink-S are installed as needed to connect two heating cables together at one point
Easylink-LE		Easylink-LE has signal light. Be used as lighted end seal kit

## Accessories

Model	Photo	Description
Pipe mounting bracket		Install bracket: connect the easylink connection kits with the pipe.

## Specification

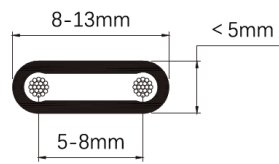
---

- Voltage: 110-120V or 208-277v;
- Maximum circuit breaker size: 20A;
- Maximum exposure temperature: 65 °C (150F)
- Minimum installation temperature: -20 °C; (-4F)
- IP rating: IP68;

## Applicable products

---

### Cable parameter



## Certificate

---



## Installation

---

For proper design and installation of Easylink connection system, please use the appropriate product design guide and the installation instructions included with the connection kit.