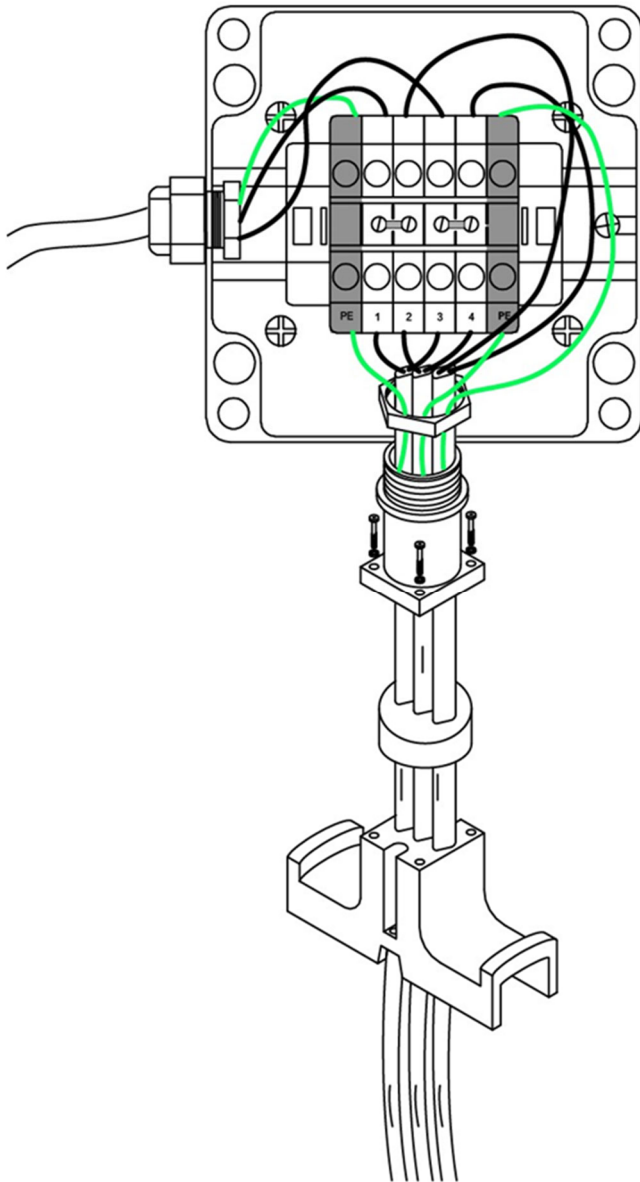


POWER CONNECION KITS & ACCESSORIES

PBK-R Power Box Connection Kit



Product Overview

- Usage:** Enclosed power termination and pipe mounting of up to 3 WSR heating cables.
- Kit Contents:** Includes silicone sealant free termination boots to terminate heating cable. Includes NEMA4X enclosure, pipe mounting bracket, terminal blocks and sealing components.
- Terminals:** Spring cage terminals for safe, reliable, maintenance free operation.
- Construction:** UV/weatherproof, Fiberglass, NEMA4X
- Electrical Rating:** 277V max, 30A max

Approvals:



c US

*Class I, Div. 2 Groups A, B, C, D
Class II, Div. 2, Groups E, F, G
Class III
Unclassified areas*

For technical support or questions please contact HTD Heat Trace

908-788-5210

sales@htdheattrace.com

www.htdheattrace.com