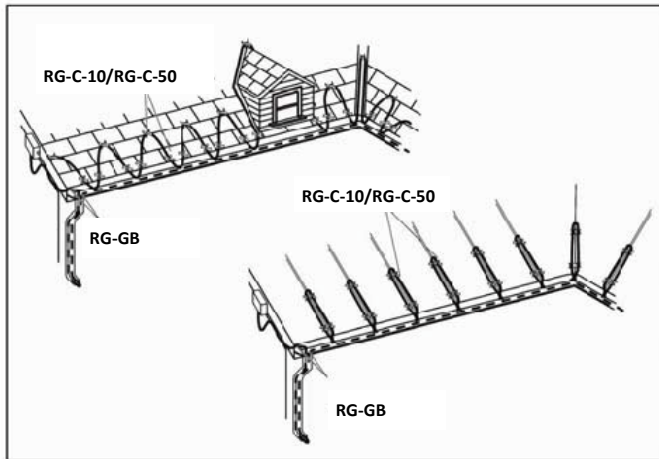


RG-C Roof Clip & RG-GB Gutter Bracket Installation instructions



Description

RG-C Roof Clips & RG-GB Gutter Brackets are suitable for use with HTD Heat Trace WSR & RG heating cables and are used to secure the heating cable to the roof and protect heating cable installed in downspouts. Do not use other hardware or techniques which may damage heating cable. For additional technical support call HTD Heat Trace, Inc. at 908-788-5210.

Additional Materials Required

- Recommended adhesive (for metal roofs): SpeedBonder H3300 or H4800, Plexus MA300 or MA310, GE RTV 167
- Roofing Nails
- Roofing sealant

Tools Required:

Hammer, Pliers, Caulking gun

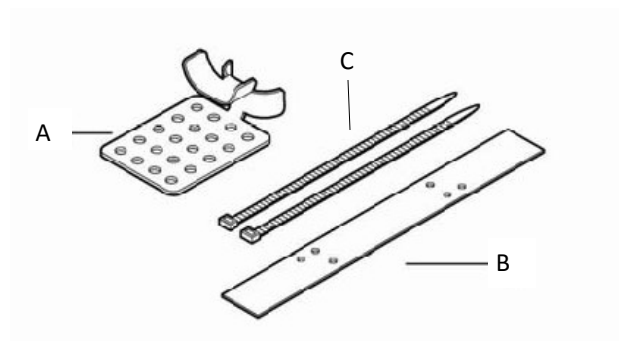
Kit Components (RG-C-10/RG-C-50):

A. RG-C Roof Clips (RG-C-10 qty 10, RG-C-50 qty 50)

Kit Components (RG-GB)

B. RG-GB Gutter Bracket (qty. 1)

C. Zip ties (qty. 2)





Warning:

These components are involved in the installation of electrical devices and must be installed correctly to ensure proper operation and to prevent shock or fire. Carefully follow all of the installation instructions and read these important warnings.

- To minimize the danger of fire from sustained electrical arcing, ground fault protection equipment must be used on each heating cable circuit. Arcing may not be stopped by conventional circuit protection.
- Component approvals and performance are based on the use of specified parts only. Do not substitute parts.
- The heating cable core is conductive and can short. It must be properly insulated and kept dry.
- The braid of this heating cable must be connected to a suitable grounding terminal.
- Installer should apply a nameplate label to the surface of the junction box.
- Keep ends of heating cable and kit components dry before installation
- Damaged bus wires can overheat or short. Do not break braid or bus wire strands when scoring the jacket or core.
- Bus wires will short if they contact each other. Keep bus wires separated.
- Use only fire-resistant insulation materials such as fiberglass
- Leave these installation instructions with the user for future reference
- De-energize all power circuits before installation or servicing

Customer Service:

HTD Heat Trace, Inc.

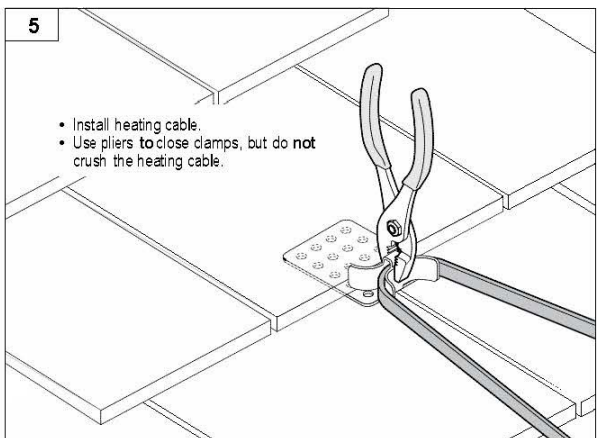
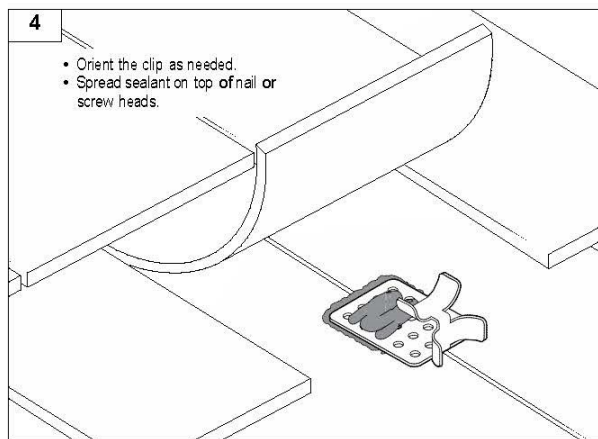
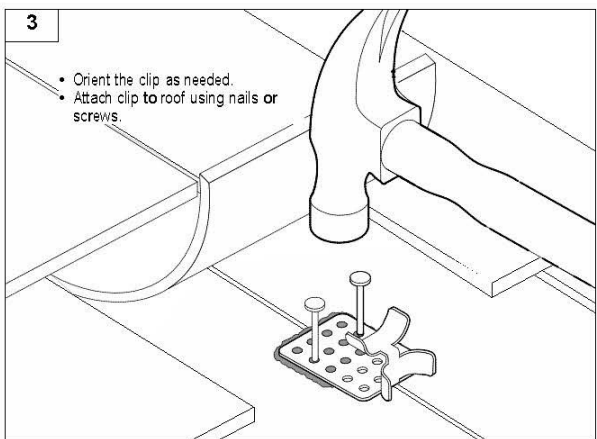
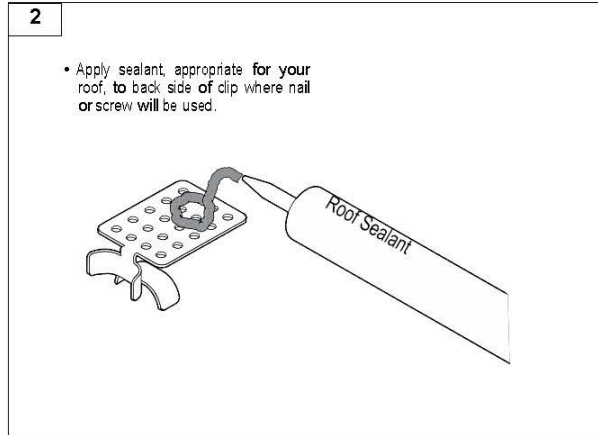
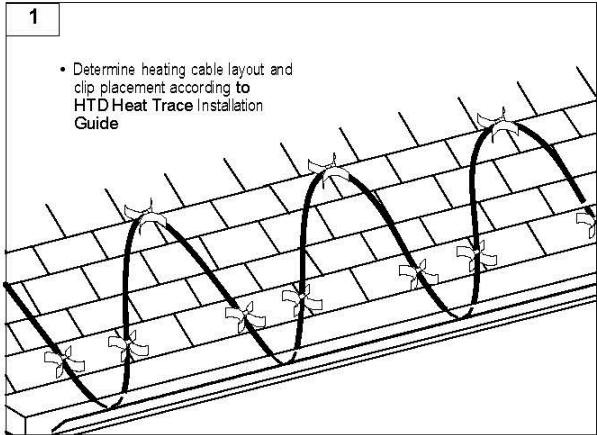
8 Bartles Corner Road

Flemington, NJ USA

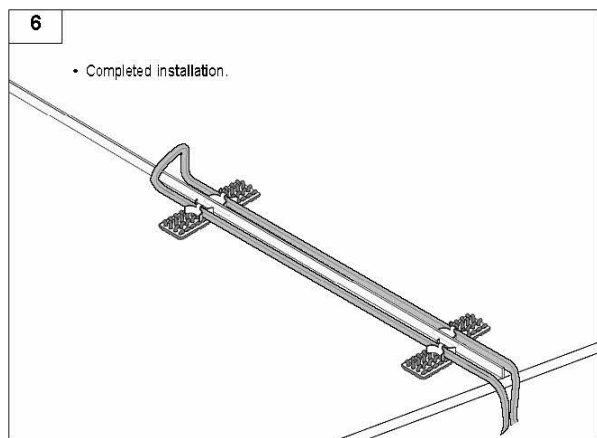
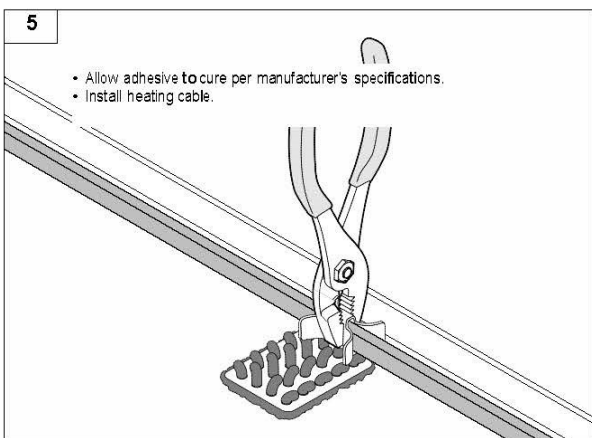
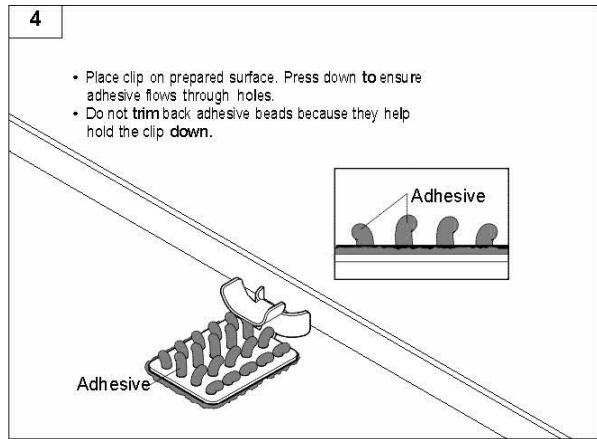
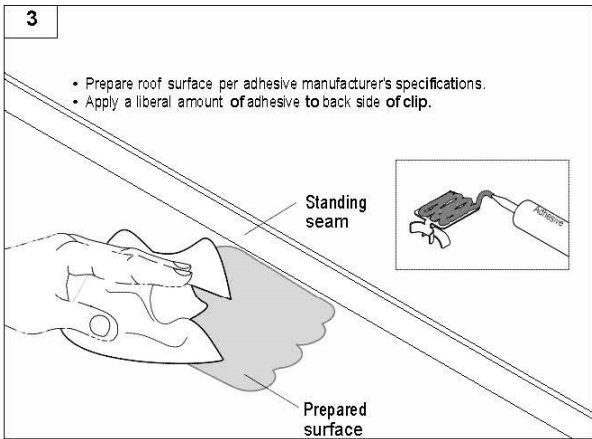
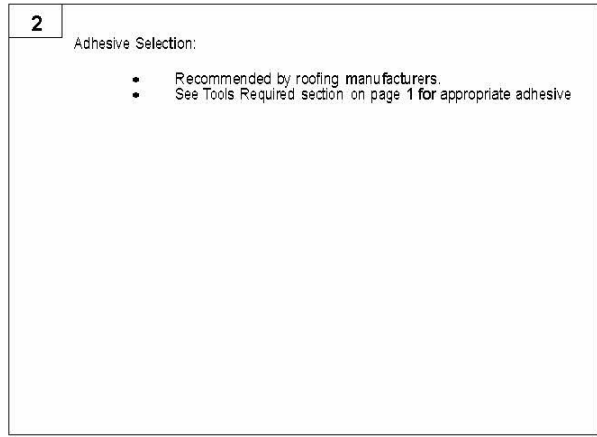
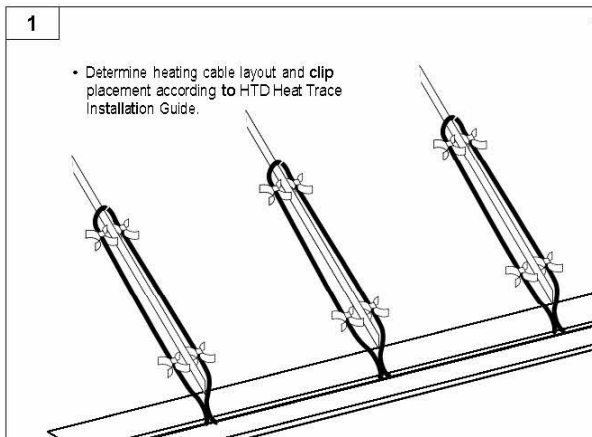
908-788-5210

support@htdheattrace.com

RG-C Installation on Shingle Roofs



RG-C Installation on Metal Roofs



RG-GB Installation

